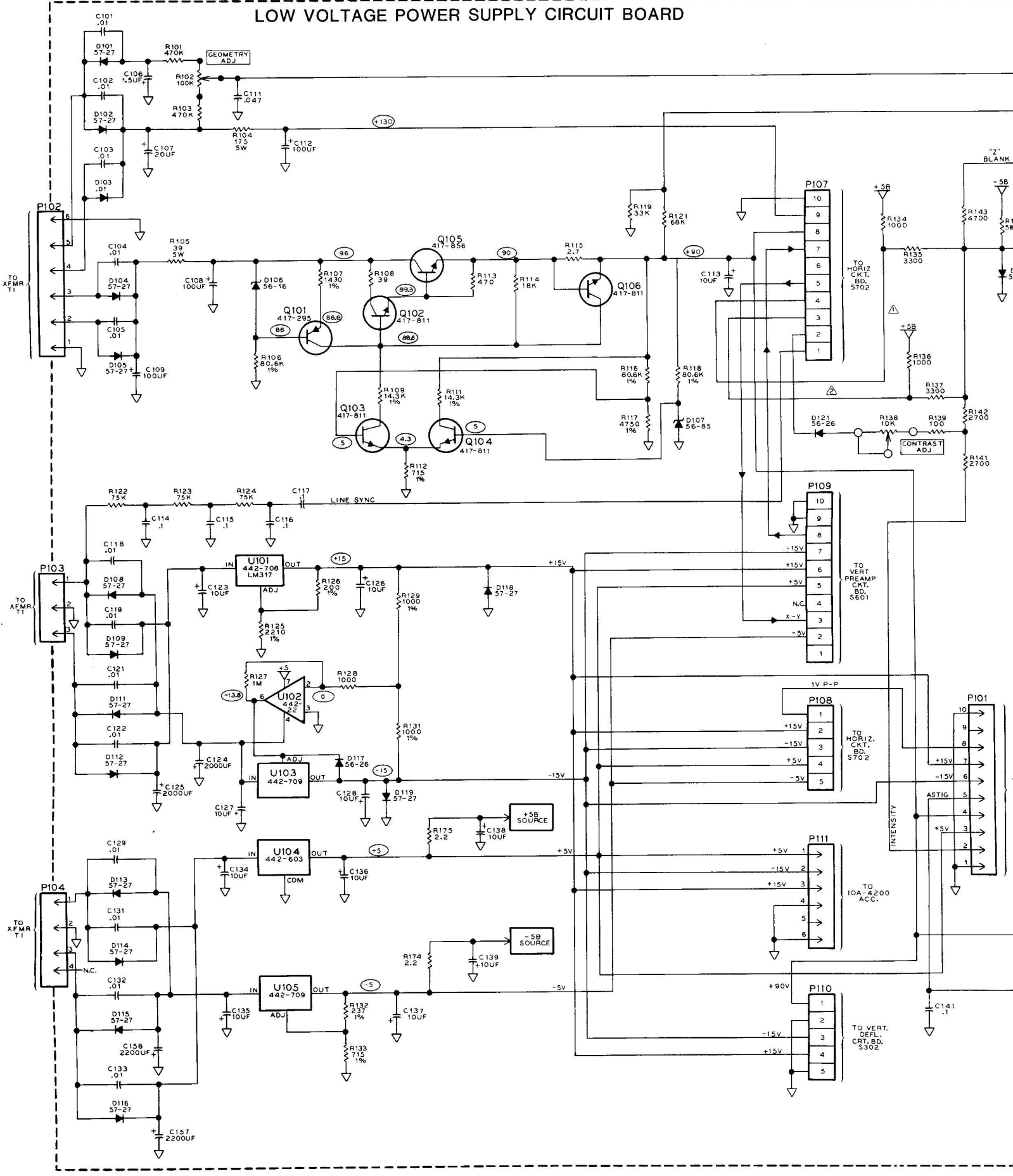
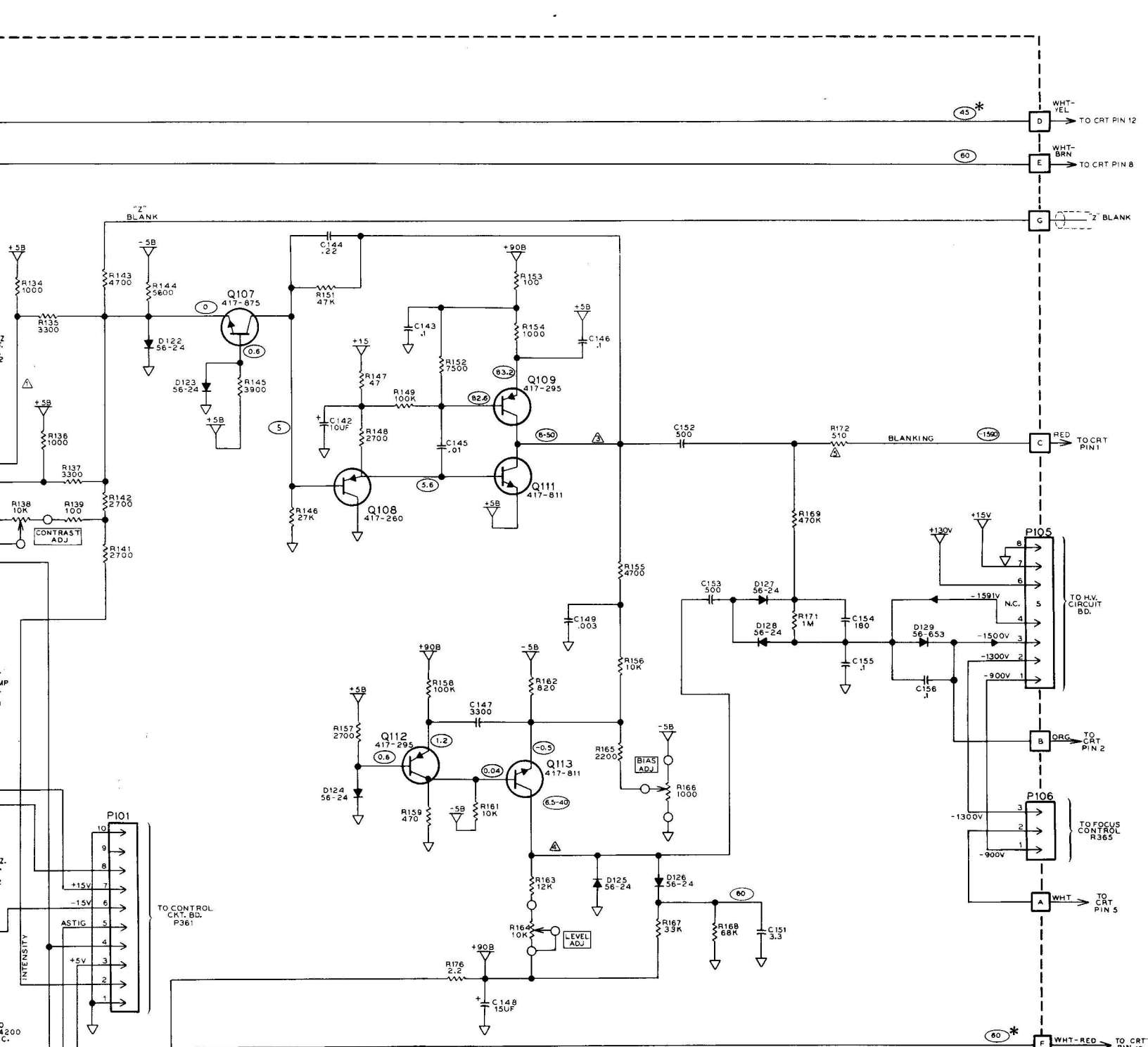
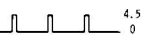
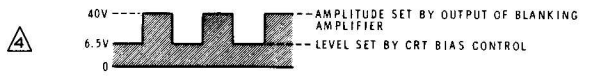
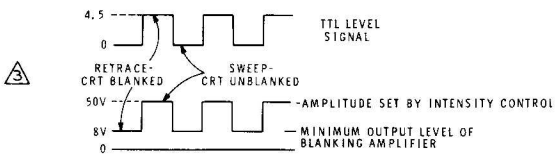


LOW VOLTAGE POWER SUPPLY CIRCUIT BOARD

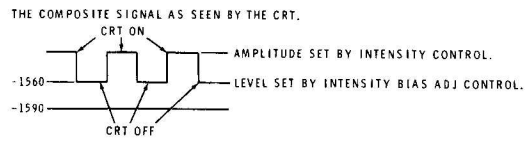




⚠ IN CHOP MODE, INPUT IS  4.5 V AT 200HZ RATE.
 ⚠ IN NORMAL OPERATION, A PULSE BLANKS THE CRT AFTER EACH SWEEP.

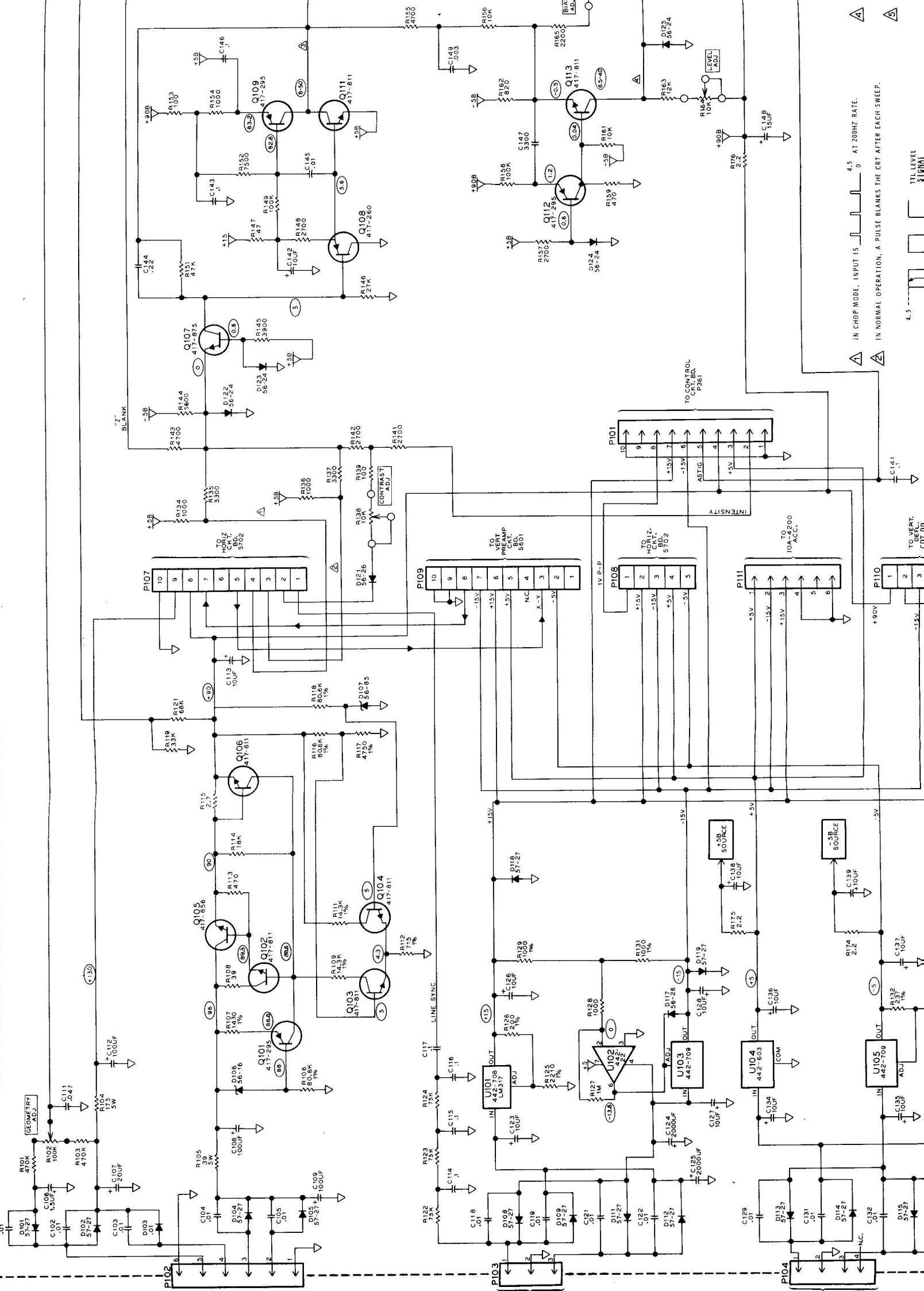


⚠ CAUTION: DO NOT MEASURE UNLESS YOU HAVE TAKEN PRECAUTIONS TO PROTECT THE INPUT OF THE MEASURING INSTRUMENT FOR -1600 VDC.



* VOLTAGES DEPEND ON CONTROL SETTING.

LOW VOLTAGE POWER SUPPLY CIRCUIT BOARD



IN CHOP MODE, INPUT IS 4.5 AT 200HZ RATE.
IN NORMAL OPERATION, A PULSE BLANKS THE CRT AFTER EACH SWEEP.

